

## Supply station HP 403



### Description:

The supply station HP 403 is a supply station and is mounted on a panel. It serves the safe supply of pure and mixed gases. The station is connected to gas supply line. A diaphragm shut-off valve and a single stage pressure regulator with gauge are supplied as standard.

### Application area:

Especially for gases with high requirements on purity to 6.0. Secure and leak proof. Through our special cleaning system our pressure regulators are ECD – able.

### Technical details:

Housing:	st. steel 1.4404 electro polished or brass, nickel & matt chrome plated
Gasket:	PCTFE
Diaphragm:	1.4435
Leakage rate:	$10^{-8}$ (mbar l/s) helium leakage test
Gas purity:	$\leq 6.0$
Max. Inlet pressure:	40 bar
Regulating area:	0,5-3; 1-6 1-10 bar
Operating temp.:	-20°C to +70°C
Gauge:	safety version to EN 837-1 KL1,6
Size (WxHxD):	70 x 270 x 135
Weight:	1400g

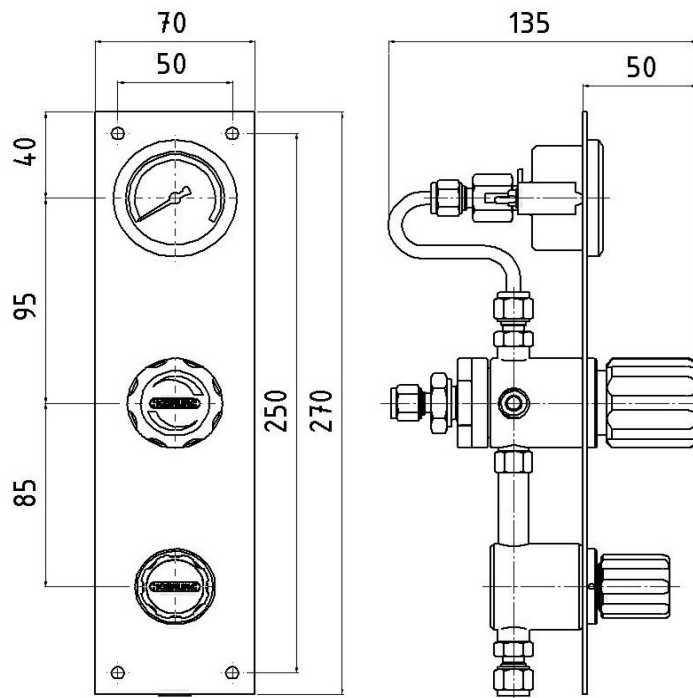
### Hornung Quality standard

The company Hornung is certified to **DIN EN ISO 9001 and ISO 14001:2009**. All single parts are manufactured, assembled and tested in house. The finished parts are therefore under the criteria of our exact quality control with 100% final control.

Hornung GmbH  
Rathenaustraße 55, 63263 Neu-Isenburg

Phone: +49 6102 7883-70  
Fax: +49 6102 7883-40

www.hornung.org  
info@hornung.org



#### Accessories:

See total catalogue segment

- 5. Diaphragm shut-off and Dosage valve
- 7. Gauges, Screw connections, cylinder holders and accessories

#### Order details:

##### Material:

- HP403 = st. steel
- HP403MS = brass

##### Pressure area:

- 01 = 0,5 - 3 bar
- 02 = 1 - 6 bar
- 03 = 1 - 10 bar

##### Option on the outlet pressure side:

- 00 = G $\frac{1}{4}$ " – Internal thread
- 01 = olive joint connection 6 mm

<b>HP403</b>	<b>- 02</b>	<b>00</b>	<b>Gas</b>
Regulator type	Pressure area	Option	Gas type